



GMTCNT STEPPER MOTOR DRIVER

MODEL: GSTD22280

User Guide



Attention !

Read the user manual carefully before using the device!

Responsibility for damages, losses and personal accidents caused by not following the warnings in the user manual belongs to the user. In case of failure to comply with the instructions, the product will be out of warranty.



GMT ENDÜSTRİYEL ELEKTRONİK SAN. VE TİC. LTD. ŞTİ.

Çubuklu Mahallesi Boğaziçi Caddesi No:6/B 34805 Beykoz / İstanbul / Türkiye

T +90 (216) 668 00 06

Web site: <http://www.gmtcontrol.com/>

F +90 (216) 668 00 03

E-Mail: gmt@gmtcontrol.com

1. Technical Specifications

Main Supply Voltage	80-240VAC
Current	8.2A
Input Frequency	200kHz
Operation Temperature	Between 0°C ile +65°C

2. Stepper Driver LED Status

Green LED	It lights up when the device is energized.
Red LED	It lights up when the drive is faulty or the motor is not connected.

3. Stepper Driver Ports

3.1 Stepper Driver Power and Motor Connection Port

Stepper Drive Inputs	AC1	Power Input	STEP DRIVER FEED INPUTS (80- 240VAC)
	AC2	Power Input	
Stepper Motor Cables Connection Pins	A+	Stepper Motor Connection Input Phase A+	Motor Phase A
	A-	Stepper Motor Connection Input Phase A-	
	B+	Stepper Motor Connection Input Phase B+	Motor Phase B
	B-	Stepper Motor Connection Input Phase B-	

3.2 Control Signal Input Ports

Symbol	Port name	Explanation
PLS+	Pulse signal +	Compatible with 5V and 24V
PLS-	Pulse signal -	
DIR+	Direction signal +	Compatible with 5V and 24V
DIR-	Direction signal -	
*ENA+	Enable signal +	Compatible with 5V and 24V
*ENA-	Enable signal -	

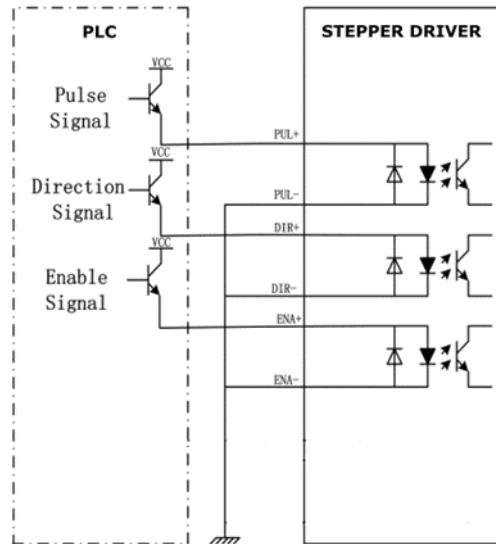
***Enable Input:** This input enables or disables the stepper motor driver. In factory settings, this input comes in normally closed contact state and no external signal is required.

3.3 Alarm Signal Output Port

Symbol	Port name
ALM+	Alarm output +
ALM-	Alarm output -

You can find more detailed information about the connection of alarm outputs at our forum site, <http://forum.gmtcontrol.com/>.

3.4 Control Signal Connection



4. Stepper Driver DIP Switch Settings

4.1 Current Switch Settings

Current Settings				
Peak	RMS	SW1	SW2	SW3
2.2A	1.6A	1	0	0
3.2A	2.3A	0	1	1
4.2A	3.2A	1	1	0
5.2A	3.7A	0	0	1
6.3A	4.4A	1	0	1
7.2A	5.2A	0	1	1
8.2A	5.9A	1	1	1

4.2 Pulse Switch Settings

Resolution	SW5	SW6	SW7	SW8
400	0	1	1	1
800	1	0	1	1
1600	0	0	1	1
3200	1	1	0	1
6400	0	1	0	1
12800	1	0	0	1
25600	0	0	0	1
1000	1	1	1	0
2000	0	1	1	0
4000	1	0	1	0
5000	0	0	1	0
8000	1	1	0	0
10000	0	1	0	0
20000	1	0	0	0
25000	0	0	0	0

4.3 Stall Current Switch Settings

SW4 is the switch that sets the current to be used by the stepper driver during stop.

If this switch is in the ON position, the current set in the reed switch will be the same as the current used in the stepper driver. When turned OFF, the stepper drive uses half of the current set in the reed switch at standstill.

5. Stepper Driver Dimensions (mm)

