



# GMTCNT STEPPER MOTOR DRIVER

MODEL: GSTD2542

## User Guide



### Attention !

Read the user manual carefully before using the device!

Responsibility for damages, losses and personal accidents caused by not following the warnings in the user manual belongs to the user. In case of failure to comply with the instructions, the product will be out of warranty.



**GMT ENDÜSTRİYEL ELEKTRONİK SAN. VE TİC. LTD. ŞTİ.**

Çubuklu Mahallesi Boğaziçi Caddesi No:6/B 34805 Beykoz / İstanbul / Türkiye

T +90 (216) 668 00 06

Web site: <http://www.gmtcontrol.com/>

F +90 (216) 668 00 03

E-Mail: [gmt@gmtcontrol.com](mailto:gmt@gmtcontrol.com)

## 1. Technical Specifications

Main Supply Voltage	24-48VDC
Current	4.2A
Input Frequency	200kHz
Operation Temperature	Between 0°C ile +70°C

## 2. Stepper Driver LED Status

Green LED	It lights up when the device is energized.
Red LED	It lights up when the drive is faulty or the motor is not connected.

## 3. Stepper Driver Ports

### 3.1 Stepper Driver Power and Motor Connection Port

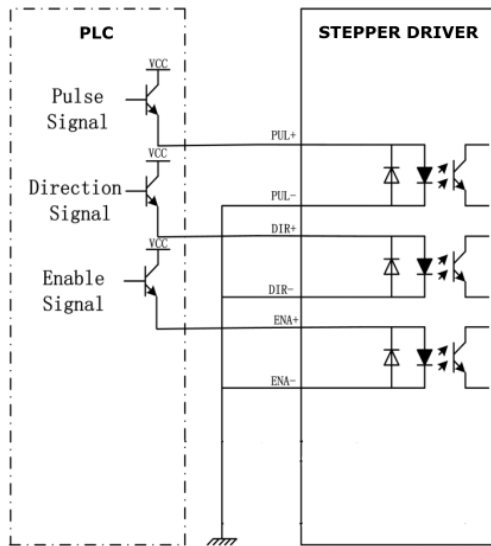
1	Stepper Drive Inputs	GND	Power Input -	24-48VDC
2		VCC	Power Input +	
3	Stepper Motor Cables Connection Pins	A+	Stepper Motor Connection Input Phase A+	Motor Phase A
4		A-	Stepper Motor Connection Input Phase A-	
5		B+	Stepper Motor Connection Input Phase B+	Motor Phase B
6		B-	Stepper Motor Connection Input Phase B-	

### 3.2 Control Signal Input Ports

Port	Symbol	Port name	Explanation
1	PLS+	Pulse signal +	Compatible with 5V and 24V
2	PLS-	Pulse signal -	
3	DIR+	Direction signal +	Compatible with 5V and 24V
4	DIR-	Direction signal -	
5	ENA+	Enable signal +	Compatible with 5V and 24V
6	ENA-	Enable signal -	

**\*Enable Input:** This input enables or disables the stepper motor driver. In factory settings, this input comes in normally closed contact state and no external signal is required.

### 3.3 Control Signal Connection



### 4.2 Pulse Switch Settings

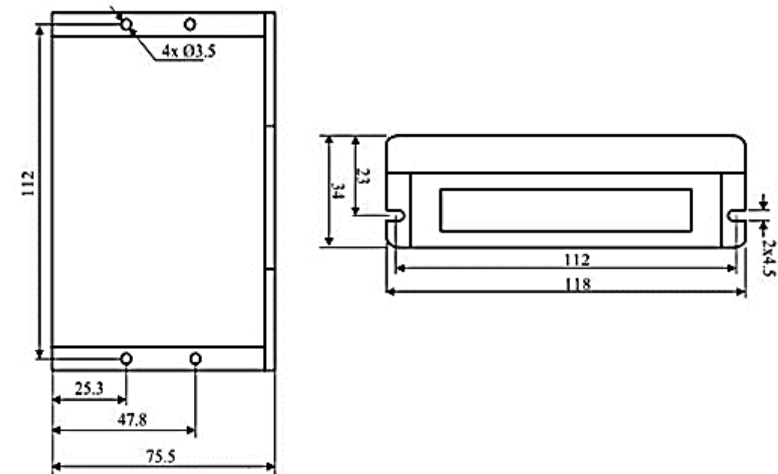
Resolution	SW5	SW6	SW7	SW8
400	0	1	1	1
800	1	0	1	1
1600	0	0	1	1
3200	1	1	0	1
6400	0	1	0	1
12800	1	0	0	1
25600	0	0	0	1
1000	1	1	1	0
2000	0	1	1	0
4000	1	0	1	0
5000	0	0	1	0
8000	1	1	0	0
10000	0	1	0	0
20000	1	0	0	0
25000	0	0	0	0

### 4.3 Stall Current Switch Setting

SW4 is the switch that sets the current to be used by the stepper driver during stop.

If this switch is in the ON position, the current set in the reed switch will be the same as the current used in the stepper driver. When turned OFF, the stepper drive uses half of the current set in the reed switch at standstill.

### 5. Stepper Driver Dimensions (mm)



## 4. Stepper Driver DIP Switch Settings

### 4.1 Current Switch Settings

Current Settings				
Peak	RMS	SW1	SW2	SW3
1.0A	0.71A	1	1	1
1.46A	1.04A	0	1	1
1.91A	1.36A	1	0	1
2.37A	1.69A	0	0	1
2.84A	2.03A	1	1	0
3.31A	2.36A	0	1	0
3.76A	2.69A	1	0	0
4.2A	3.0A	0	0	0