

### General Features

- Short Circuit Protection
- Overload Protection
- Over Voltage Protection
- Rail Mounting
- Insulation Class (2)
- LED Indicator for Energy
- Easy Commissioning
- 100% Full Load Test



Before using the device, be sure to read the user manual!  
Responsibility for damages, losses and personal accidents caused by not following the warnings in the user manual belongs to the user. In this case, the device is out of warranty in case of malfunctions.



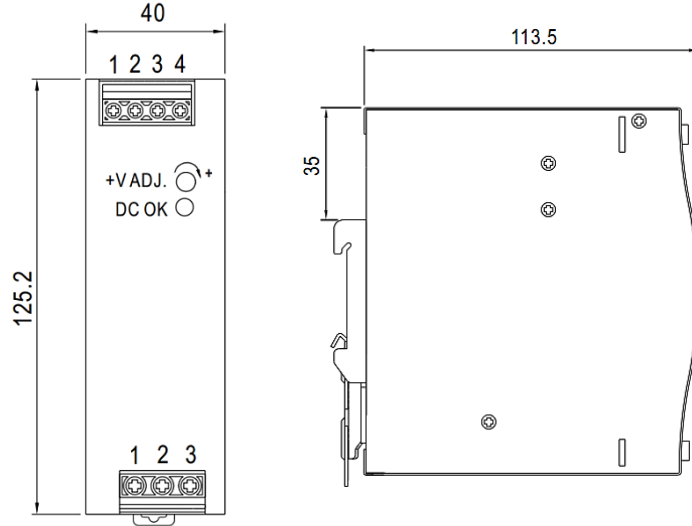
### Security Precautions

- The device must be de-energized before the cable connections are made.
- Wiring should be done in accordance with the connection diagrams. Otherwise, the SMPS Power Ski will be damaged or unable to perform its function.
- Do not interfere when there is energy in the power supply.
- The device is CE-branded in EN standards

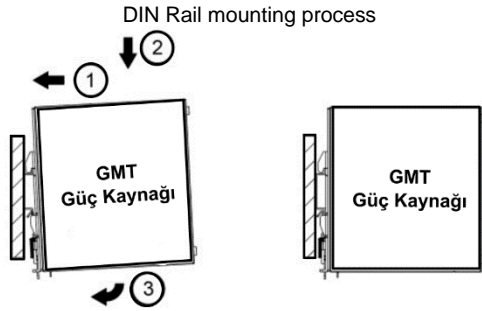
Input	Voltage Range	90 ~ 264VAC 47~63Hz
	AC Current	1.3A/ 230VAC
	Efficiency	%87.5
	Inrush Current	35A/230VAC
	Leakage Current	<1mA/240VAC
Output	DC Voltage	<b>24VDC</b>
	Rated Current	<b>5A</b>
	Current Range	0 - 5A
	Rated Power	<b>120W</b>
	Ripple and Noise	120mVp-p
	Voltage Tolerance	±1.0%
	Setup and Rise Time	1200ms,60ms/230VAC 2500ms,60ms/115VAC for full load.
	Standby Time	16ms/230VAC 10ms/115VAC for full load.
Protection	Over Load	105 ~ 130% rated output power Protection type: Constant current limiting, recovers automatically after fault condition is removed
	Over Voltage	29V - 33V / Protection type : Shut down o/p voltage, re-power on to recover.
	Over Temperature	Shut down o/p voltage, re-power on to recover.
Environmental Conditions	Operating Temperature and Humidity	-20°C~+60°C - 20%~95%RH
	Storage Temperature and Humidity	-40°C~+85°C; 10%~95%RH
	Temperature Coefficient	±0.03%/°C(0~50°C)
	Vibration	Component:10 ~ 500Hz, 2G 10min./1cycle, 60min. each along X, Y, Z axes.
Safety	Withstand Voltage	I/P-O/P:3KVAC I/P-FG:2KVAC O/P-FG:0.5KVAC
	Isolation Resistance	I/P-O/P, I/P-FG, O/P-FG:>100M Ohm/ 500VDC / 25°C/ 70% RH
	Safety Standard	TUV EN62368-1, EAC TP TC 004, BSMI CNS14336-1
	EMC Standard	EN55032 (CISPR32) A Class , EN61000-3-2,-3, EAC TP TC 020, CNS13438 A Class EN61000-4-2,3,4,5,6,8,11, EN55024, EN61000-6-2 (EN50082-2), Heavy Industry level criteria A, EAC TP TC 020
Other informations	Dimensions	40*125.2*113.5mm (W*H*D)
	Weight	0.6Kg

# EPS 120 / 120W Dual Output Rail Mount Power Supply

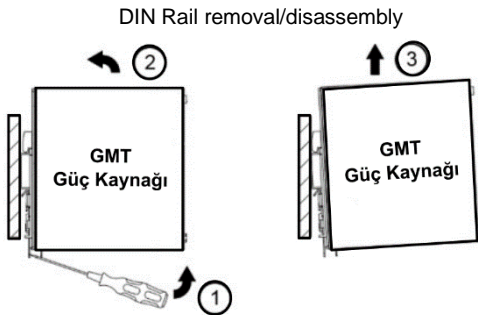
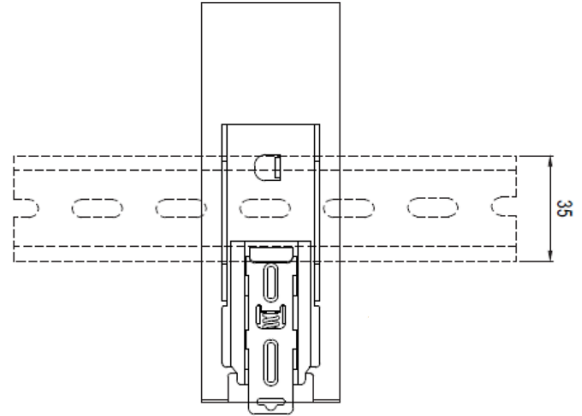
## Dimensions and Mechanical Details (mm)



## Installation



- Tilt the power supply up and place it on the DIN rail.
  - Press down on the rail until it is fully seated on the rail.
  - To lock it on the rail, press it towards the rail from the front.
  - Make sure that the power supply is fully seated on the DIN rail.
- \*Choose DIN Rail suitable for the specified width.



- Slide the DIN rail release latch by pressing down with a screwdriver as shown in the case.
  - You can remove the power supply from the DIN rail by releasing the latch.
- \*Choose DIN Rail suitable for the specified width.

## Maintenance and Support

Device maintenance and repair should be done by trained technical personnel. There may be situations that result in personal injury and/or damage to the device if unauthorized intervention is made. Contact our company for the repair of defective devices.

For questions about the device, you can contact us using the contact information below.

**GMT ENDÜSTRİYEL ELEKTRONİK SAN. VE TİC. LTD. ŞTİ.**  
Çubuklu Mahallesi Boğaziçi Caddesi No:6/B 34805 Beykoz / İstanbul / Türkiye  
T +90 (216) 668 00 06  
M +90 (534) 363 75 33 / +90 (534) 882 12 22  
F +90 (216) 668 00 03  
gmt@gmtcontrol.com  
http://www.gmtcontrol.com/

