

General Features

- Short Circuit Protection
- Overload Protection
- Over Voltage Protection
- Rail Mounting
- Insulation Class (2)
- LED Indicator for Energy
- Easy Commissioning
- 100% Full Load Test



Before using the device, be sure to read the user manual!
Responsibility for damages, losses and personal accidents caused by not following the warnings in the user manual belongs to the user.
In this case, the device is out of warranty in case of malfunctions.



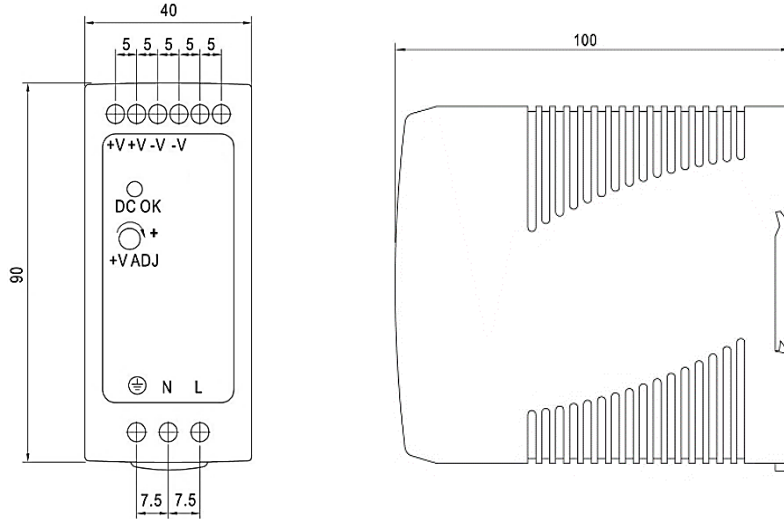
Security Precautions

- The device must be de-energized before the cable connections are made.
- Wiring should be done in accordance with the connection diagrams. Otherwise, the SMPS Power Ski will be damaged or unable to perform its function.
- Do not interfere when there is energy in the power supply.
- The device is CE-branded in EN standards

Input	Voltage Range	88 ~ 264VAC 47~63Hz
	AC Current	1A/ 230VAC
	Efficiency	%84
	Inrush Current	60A/230VAC
	Leakage Current	<1mA/240VAC
Output	DC Voltage	24VDC
	Rated Current	2.5A
	Current Range	0 - 2.5A
	Rated Power	60W
	Ripple and Noise	150mVp-p
	Voltage Tolerance	±1.0%
	Setup and Rise Time	500ms,30ms/230VAC 200ms,30ms/115VAC for full load
	Standby Time	50ms/230VAC 20ms/115VAC for full load
Protection	Over Load	105%~160%
		The constant current limitation automatically returns to normal operation after the fault condition is resolved.
	Over Voltage	115%~135%
		After the overvoltage problem disappears, it returns to the normal operating state.
Environmental Conditions	Operating Temperature and Humidity	-20°C~+60°C; 20%~90%RH
	Storage Temperature and Humidity	-40°C~+85°C; 10%~95%RH
	Temperature Coefficient	±0.03%/°C(0~50°C)
	Vibration	10~500Hz, 2G 10 dk./1 loop, 60 during the minute X, Y, Z vibrations from axes
Safety	Withstand Voltage	I/P-O/P: 3KVAC
	Isolation Resistance	I/P-O/P: 100M Ohm/ 500VDC
	Standard	
	Safety Standard	TUV EN60950-1, EN50178
	EMC Standard	EN55011,EN55022,EN61000-3-2,-3,EN61000-4-2,3,4,5,6,8,11,ENV50204,EN55024,EN61000-6-2, EN61204-3
Other informations	Dimensions	100*90*40mm (L*W*H)
	Weight	0.33Kg

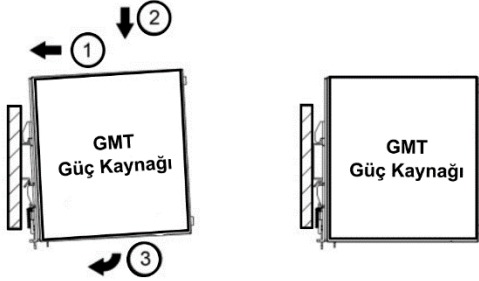
EPS 60 / 60W Dual Output Rail Mount Power Supply

Dimensions and Mechanical Details (mm)

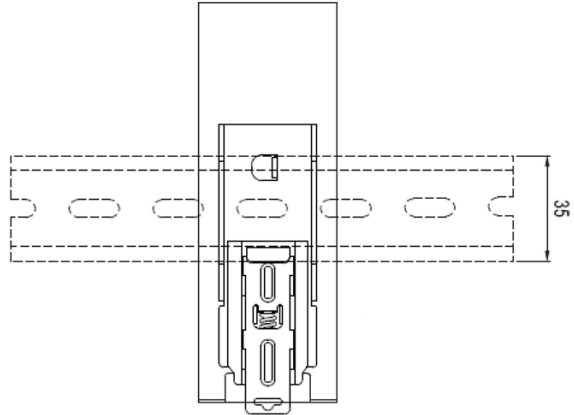


Installation

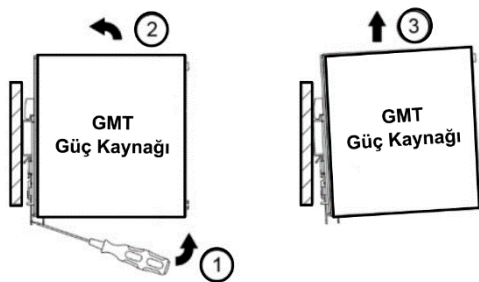
DIN Rail mounting process



- Tilt the power supply up and place it on the DIN rail.
 - Press down on the rail until it is fully seated on the rail.
 - To lock it on the rail, press it towards the rail from the front.
 - Make sure that the power supply is fully seated on the DIN rail.
- *Choose DIN Rail suitable for the specified width.



DIN Rail removal/disassembly



- Slide the DIN rail release latch by pressing down with a screwdriver as shown in the case.
 - You can remove the power supply from the DIN rail by releasing the latch.
- *Choose DIN Rail suitable for the specified width.

Maintenance and Support

Device maintenance and repair should be done by trained technical personnel. There may be situations that result in personal injury and/or damage to the device if unauthorized intervention is made. Contact our company for the repair of defective devices.

For questions about the device, you can contact us using the contact information below.

GMT ENDÜSTRİYEL ELEKTRONİK SAN. VE TİC. LTD. ŞTİ.
Çubuklu Mahallesi Boğaziçi Caddesi No:6/B 34805 Beykoz / İstanbul / Türkiye
T +90 (216) 668 00 06
M +90 (534) 363 75 33 / +90 (534) 882 12 22
F +90 (216) 668 00 03
gmt@gmtcontrol.com
http://www.gmtcontrol.com/

