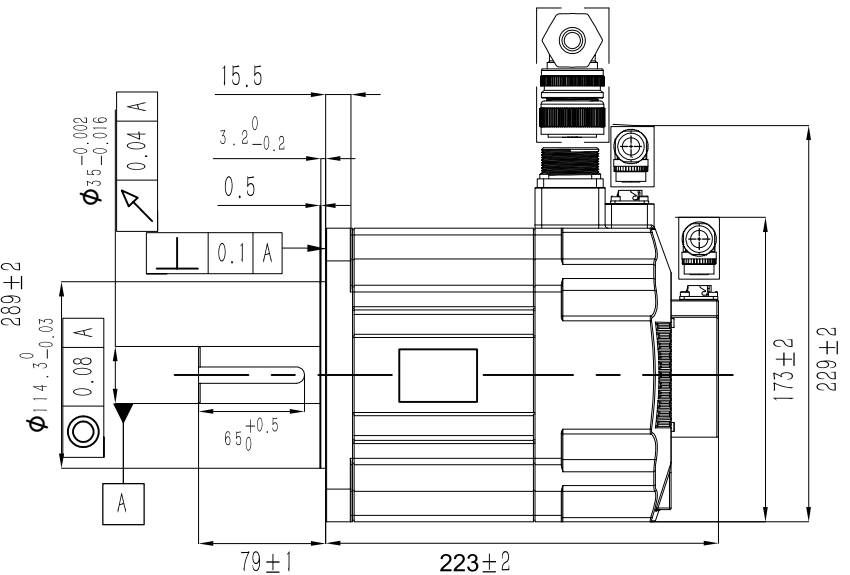
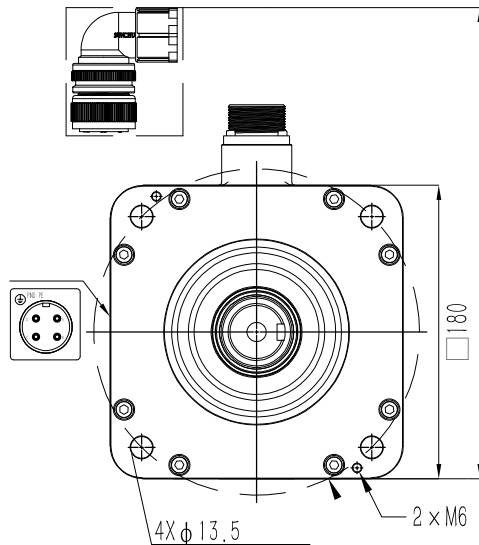
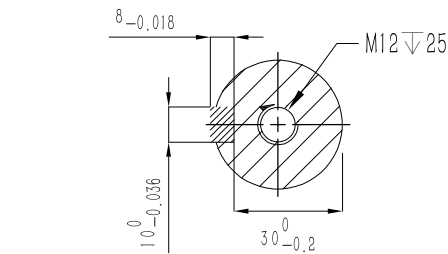


| | |
|--|----------------------|
| Rated Voltage (Vac) | 380 |
| Rated Power (w) | 4400 |
| Rated Torque (N.m) | 28.4 |
| Peak Torque (N.m) | 71 |
| Rated Speed (rpm) | 1500 |
| Peak Speed (rpm) | 3000 |
| Rated Current (Amp) | 16.3 |
| Peak Current (Amp) | 41 |
| Torque Const (N.m/Amp) | 1.74 |
| Back EMF Const (V/krpm) | 115 |
| Resistance (Ω) | 0.26 |
| Inductance (mH) | 6.4 |
| Inertia (kg*m ² *10 ⁻⁴) | 59.67 |
| Poles | 10 |
| Encoder type | 23bit optical |
| IP rating | IP65 |
| Mass (Kg) | 21.9 |



Power connector



Wiring details of Power cable connector

| Pos | A | B | C | D |
|--------|-----|--------|------|---------|
| Signal | U | V | W | PE |
| Color | red | yellow | blue | Yel/Gre |

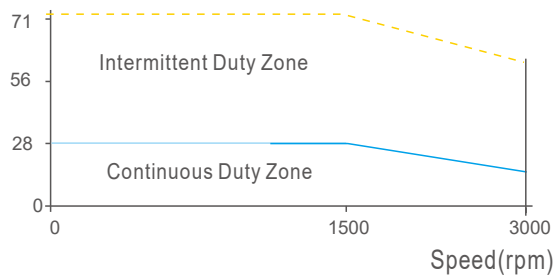
Encoder connector



Wiring details of encoder cable connector

| Pos | 1 | 2 | 3 | 4 | 5 | 6 | 7 | 8 | 9 | 10 |
|--------|---|-----|-------|------|--------|-------|-------|---|---|--------|
| Signal | / | 5V | 0V | SD+ | SD- | E+ | E- | / | / | PE |
| Color | / | red | black | blue | yellow | brown | white | / | / | shield |

Torque(Nm)



GMTCNT

S2M180F4400XH

180mm,medium inertia,4400W servo motor

23bit optical encoder, no brake

MS10